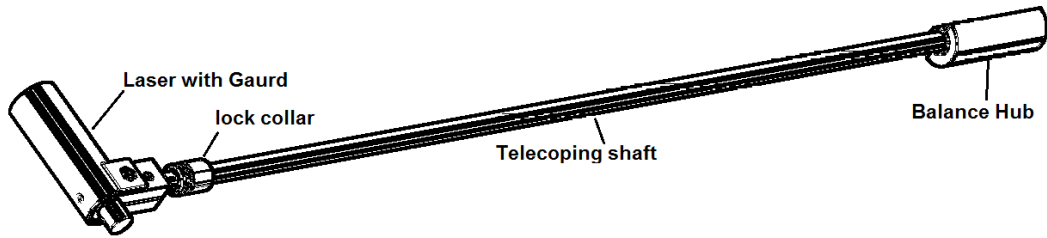
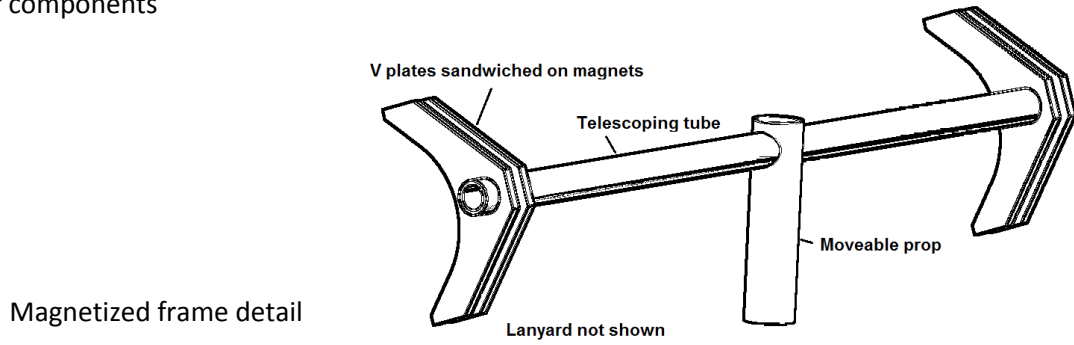


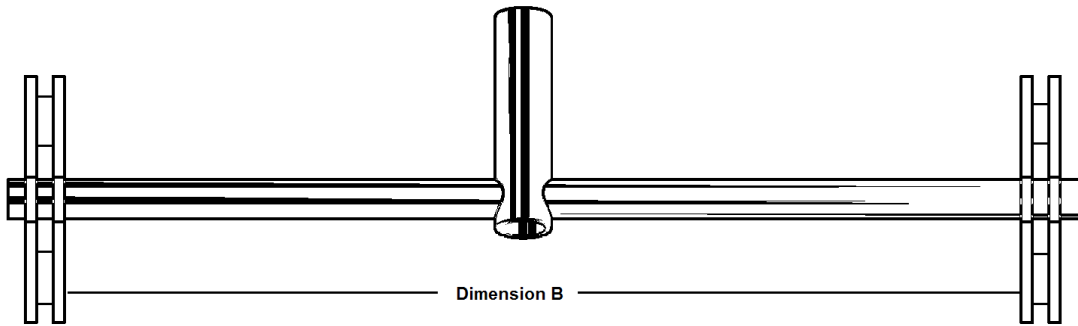
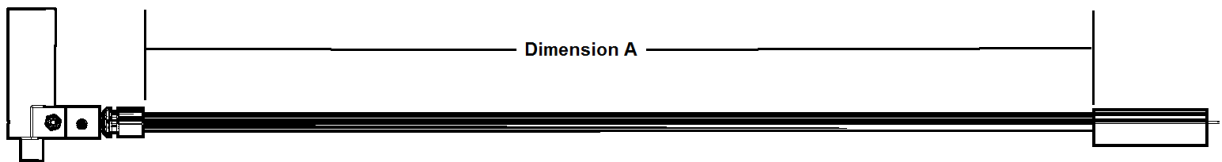
AVR Construction Details and Dimensions- ref 'avr4idlers.com'



Rotating laser components



Magnetized frame detail



	All dimensions in inches								
BW=	24	30	36	42	48	54	60	72	84
A=	17.875	21.875	25.875	29.875	33.875	37.875	41.875	49.875	57.875
B=	6	8	10	12	14	16	18	22	26

patent pending